

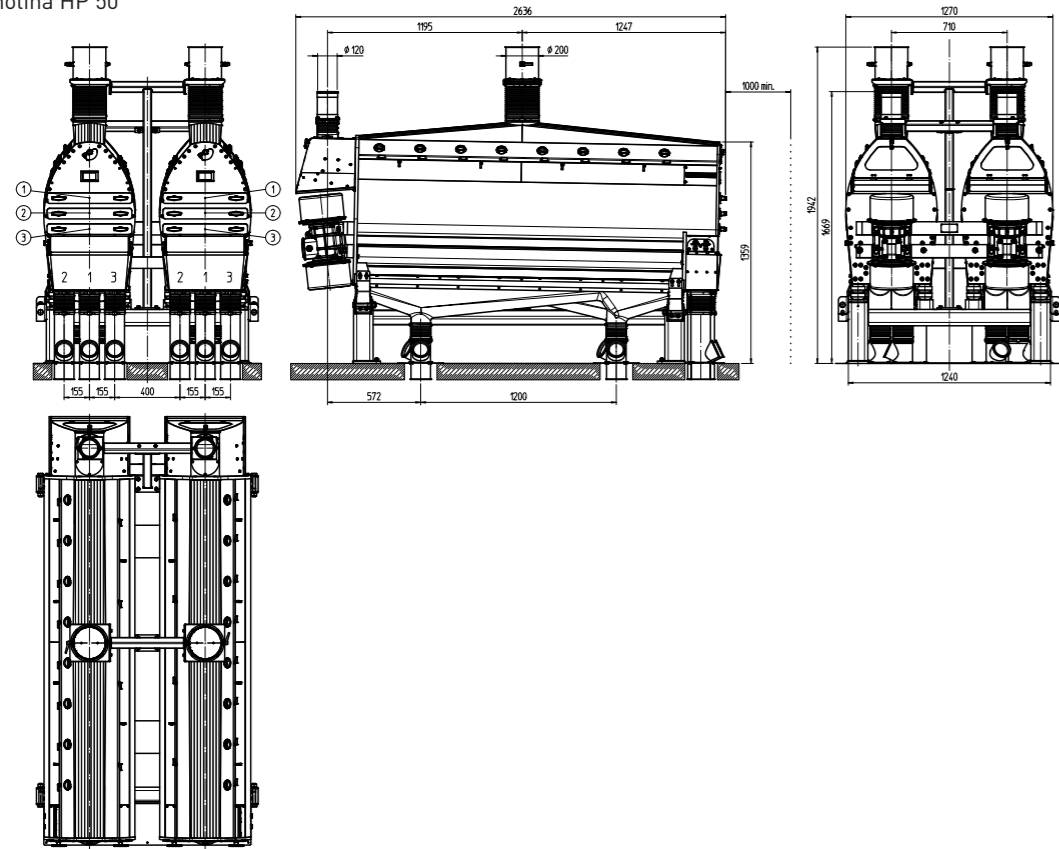
SEMOLINA

Purifier

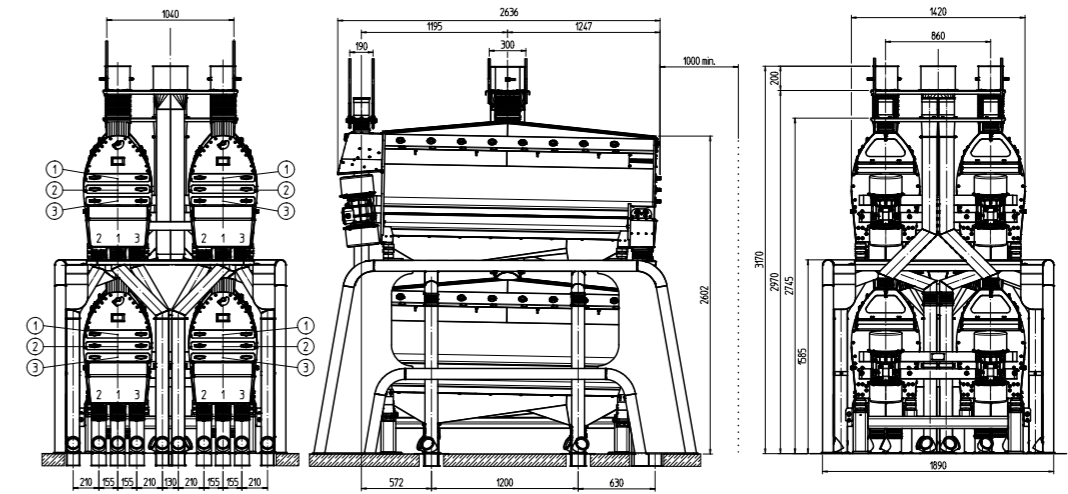
The Semolina purifier is inserted into the milling diagram of soft wheat, hard wheat and corn for cleaning and classification of semolina obtained by the grinding process. The 24 sieves conveniently equipped are crossed over by the adjustable air flow generated by suction ventilators, allowing for the selection and qualification of the products according to granulometry and specific weight.



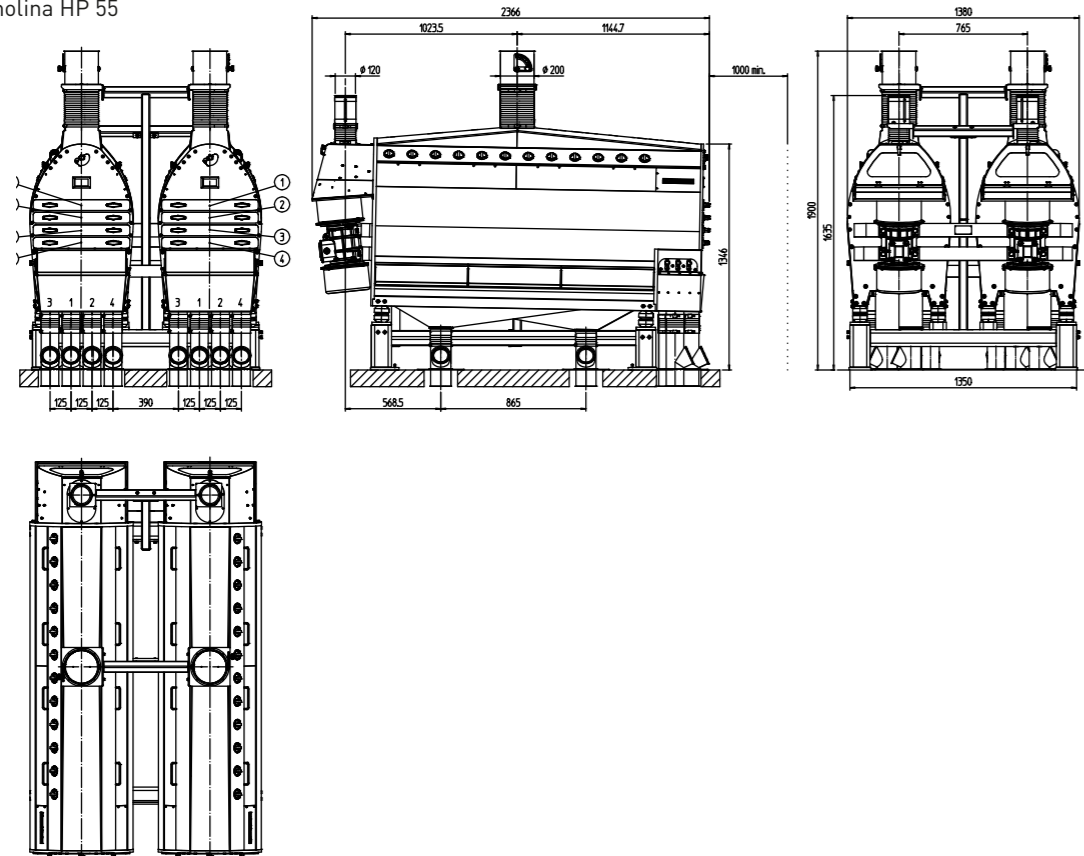
Semolina HP 50



Semolina HP 50S



Semolina HP 55



Model	Num. of Frames	Frames Dim. mm	Height mm	Width mm	Length mm	Weight Kg	Volume m ³
Semolina HP 50	24	480x480	1942	1240	2636	1130	5
Semolina HP 50S	48	480x480	3170	1890	2636	3000	2x5
Semolina HP 55	24	525x525	1900	1350	2366	1150	7.6
Semolina HP 55	48	525x525	3170	2100	2810	3000	2x5

Units = mm