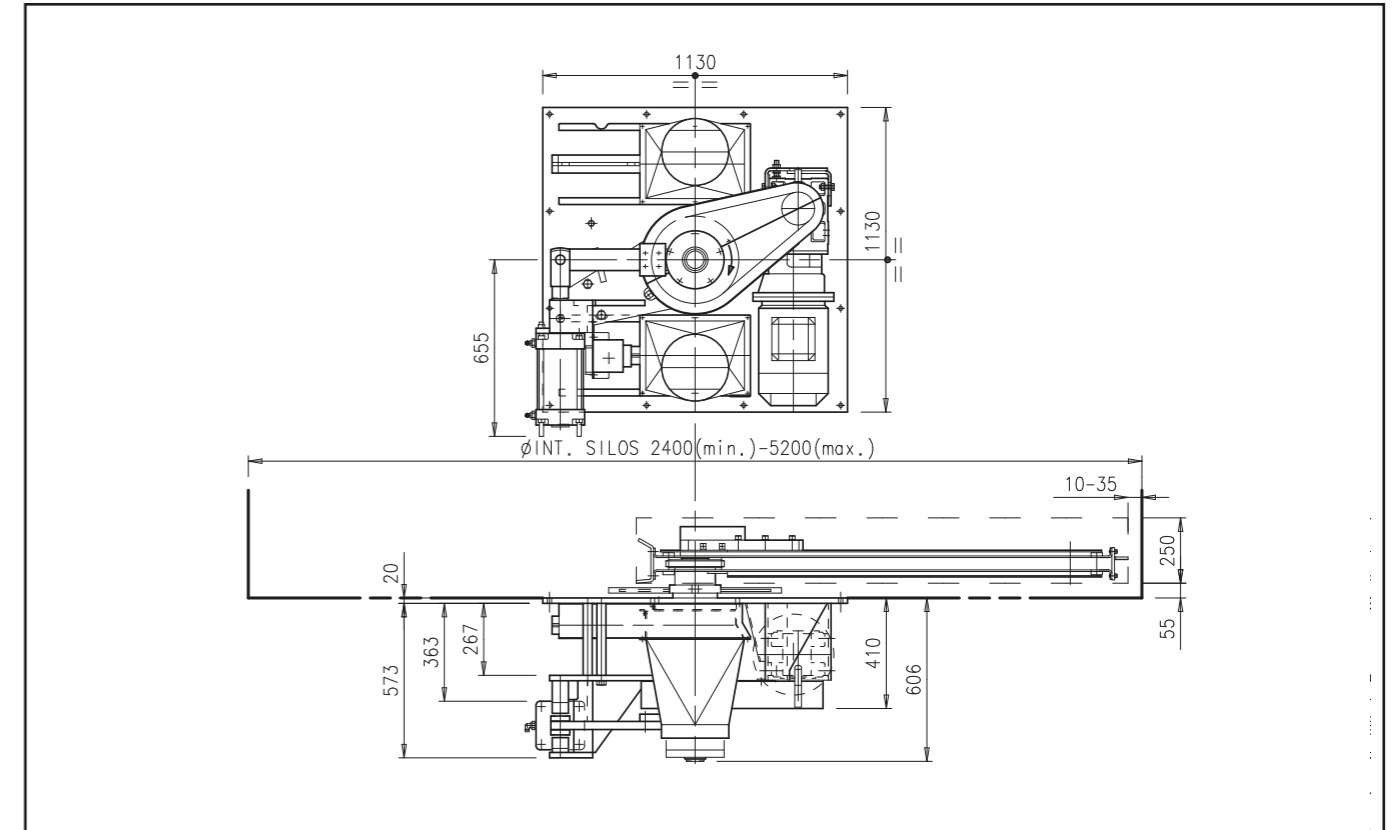
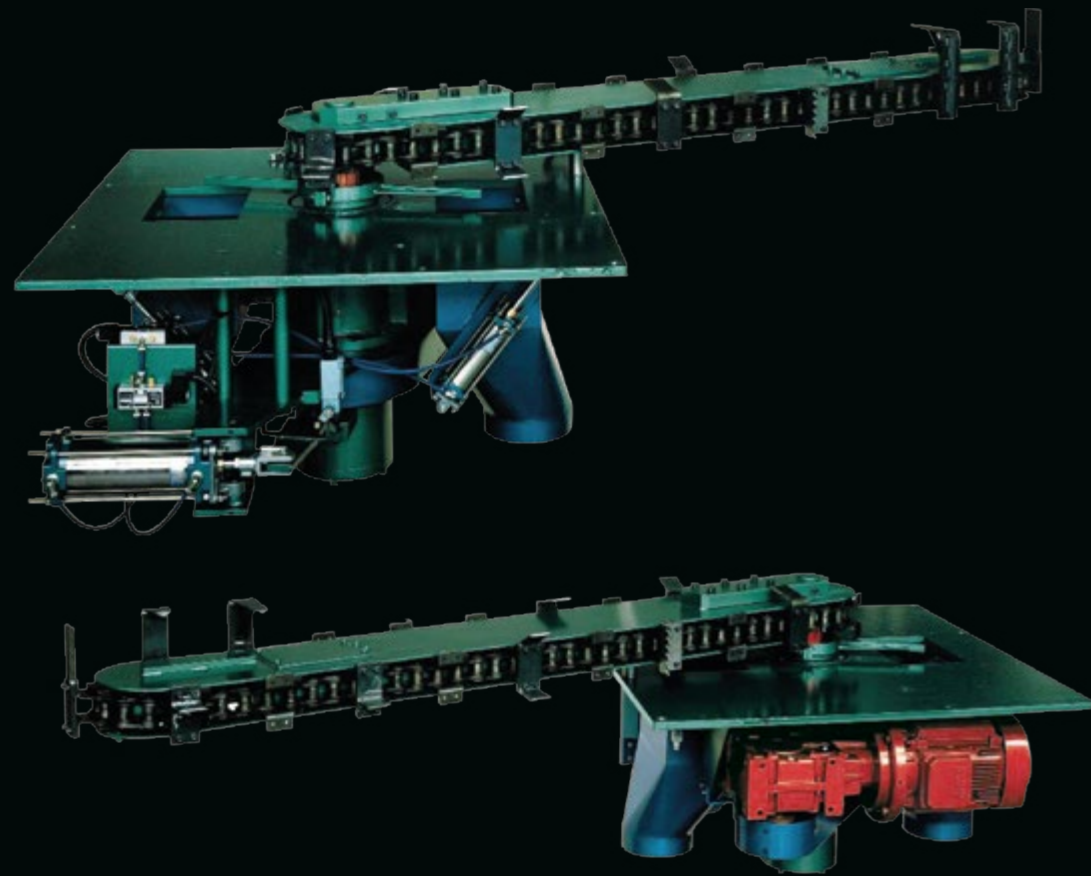


SE 90

Milling Extractor

For the extraction of products with difficulty to flow from the bins.



Silos Diameter	Capacity	Gear Motor Power	Weight
max 5 mt	max 18 T/h	9,2 kW	800 Kg

Units = mm