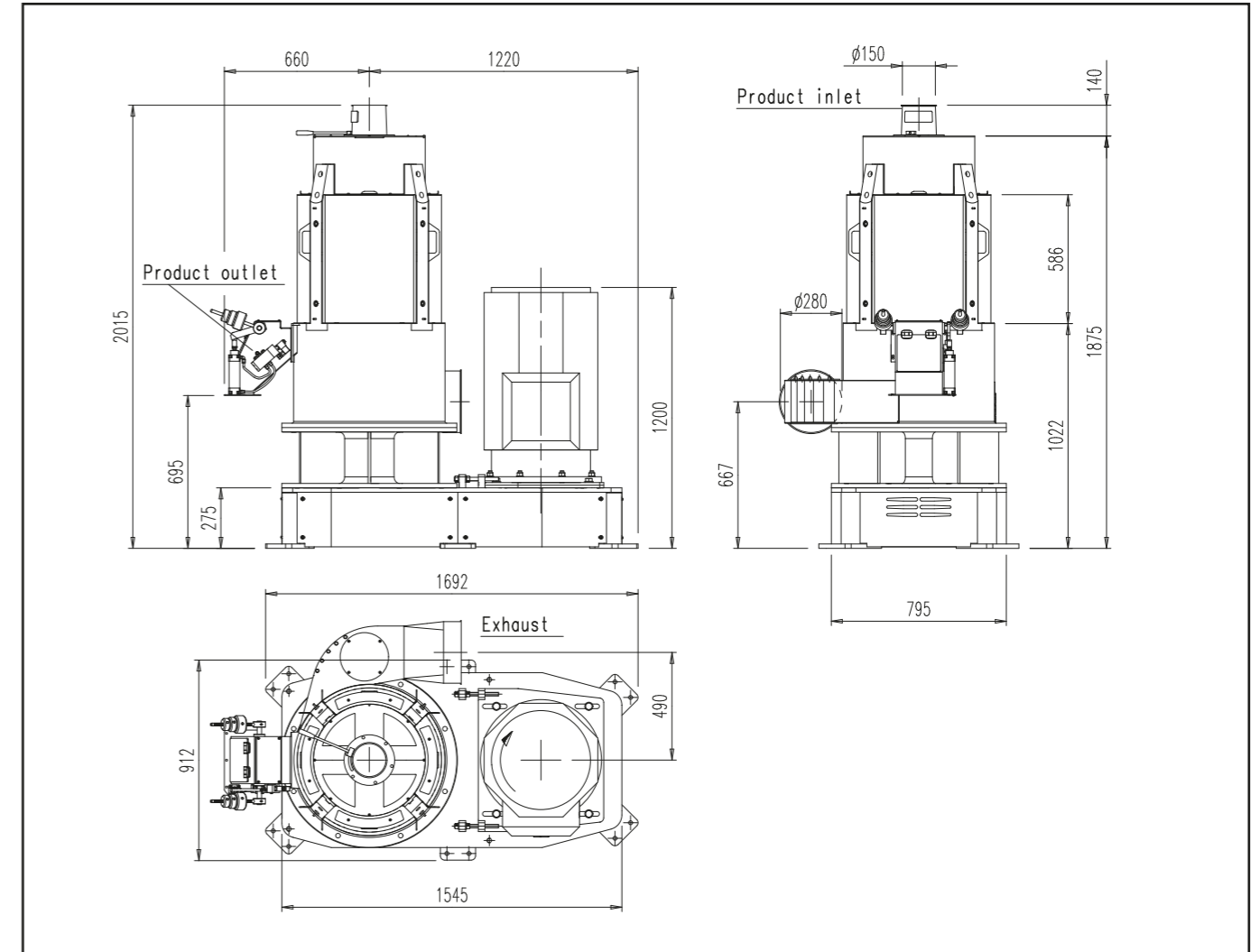
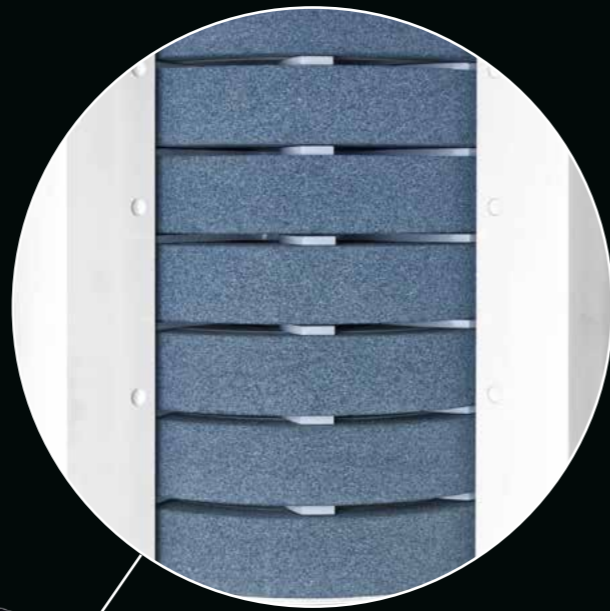


PSV

Vertical debranner

This machine was designed to get more extraction in flour and semolina through the removal of ashes and impurities.

Substantially reduces the bacterial load and the presence of heavy metals.



PSV-A 55	*Capacity t/h	Power kW	Air Volume m ³ /min	Suction Pressure mmH ₂ O	Weight Kg
Soft wheat	5/8	55-75-90	60	160	2250
Durum Wheat	5/8	55-75-90			
Rice	6	55-75-90			

* Soft wheat 0,75t/m³
Units = mm