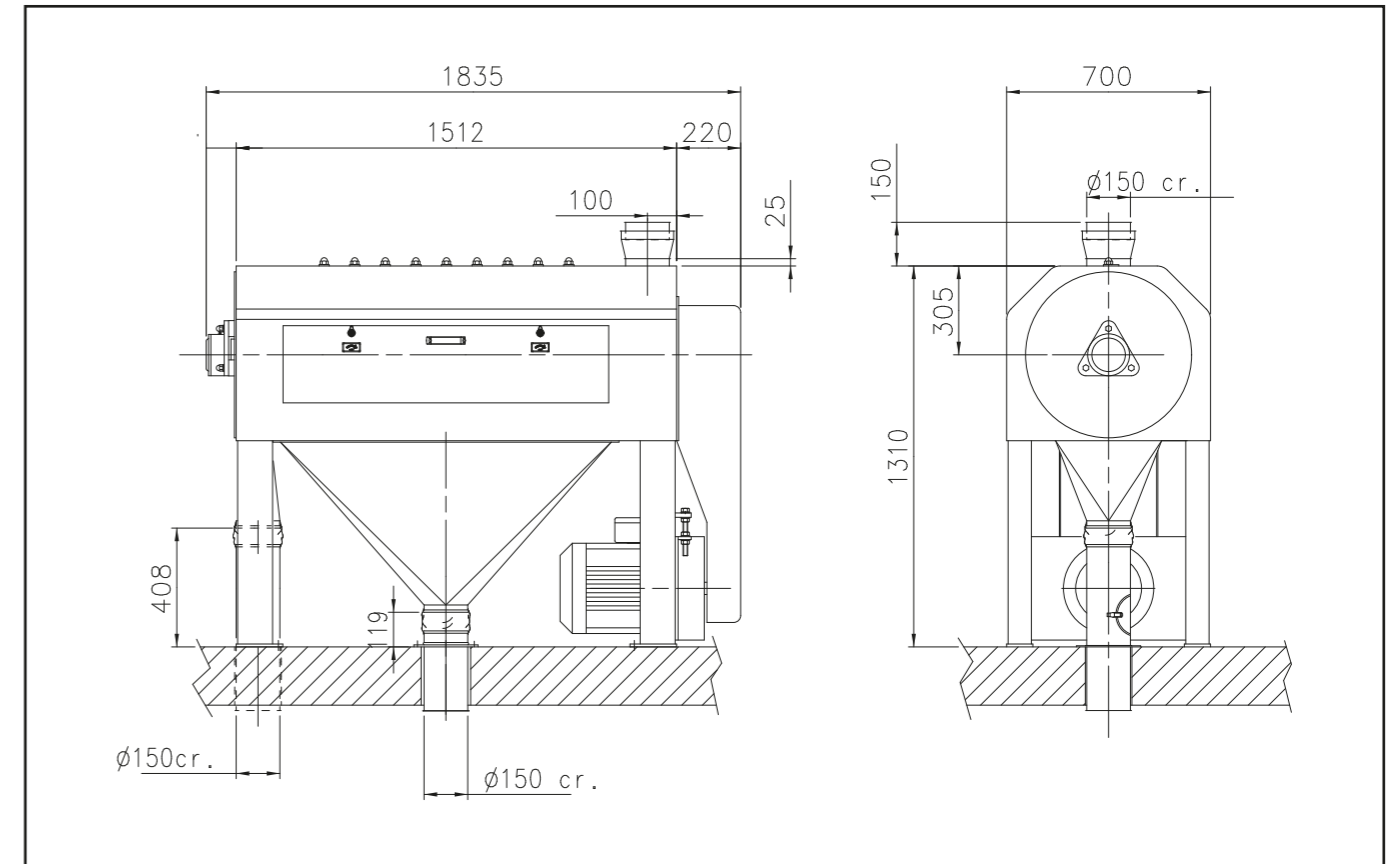


GSO

Horizontal Bran Finisher

Delicately detaches by centrifugal force the floury endosperm remained attached to the cortical parts during grinding, and maximize the flour yield.



Model	Capacity Bran t/h	Motor Kw	Sifting surface m ²	Aspiration		Weight Kg	Volume m ³
				m ³ /min	mmH2O		
5012	1,5-2	7,5	1,1	5	80	420	2,3
	3-4	11	1,1	5	80	420	2,3

Units = mm