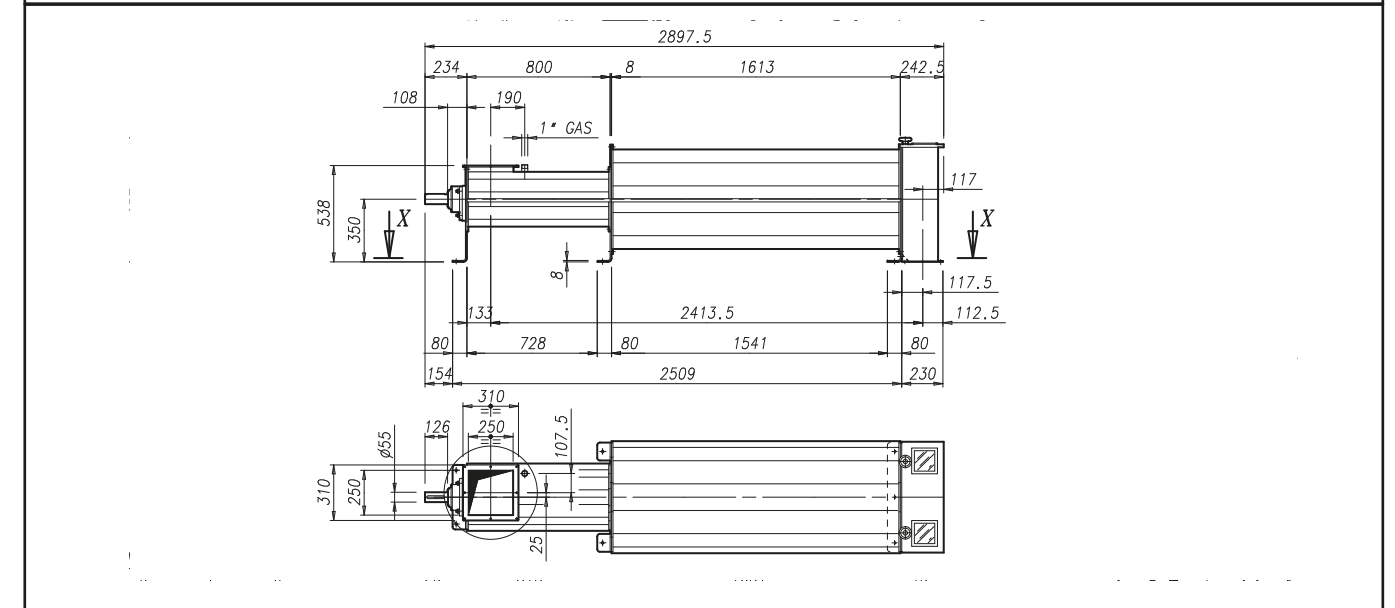
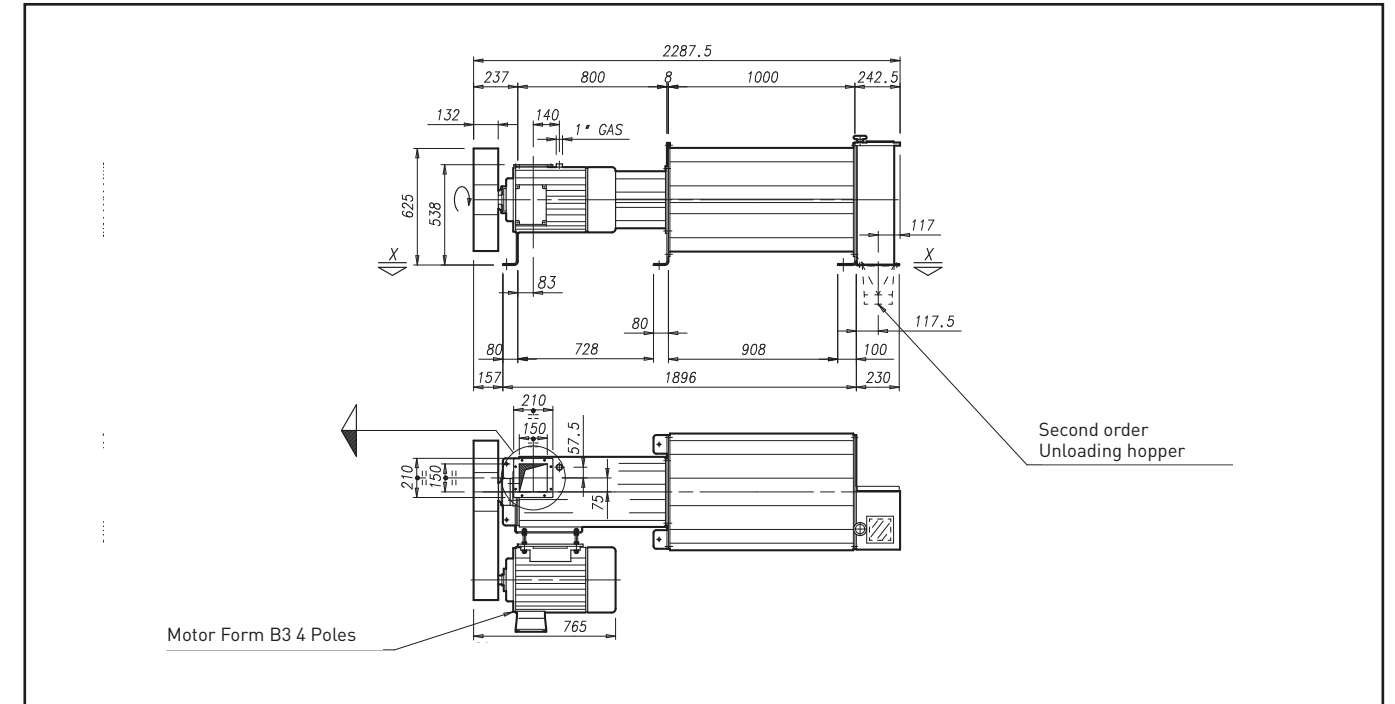
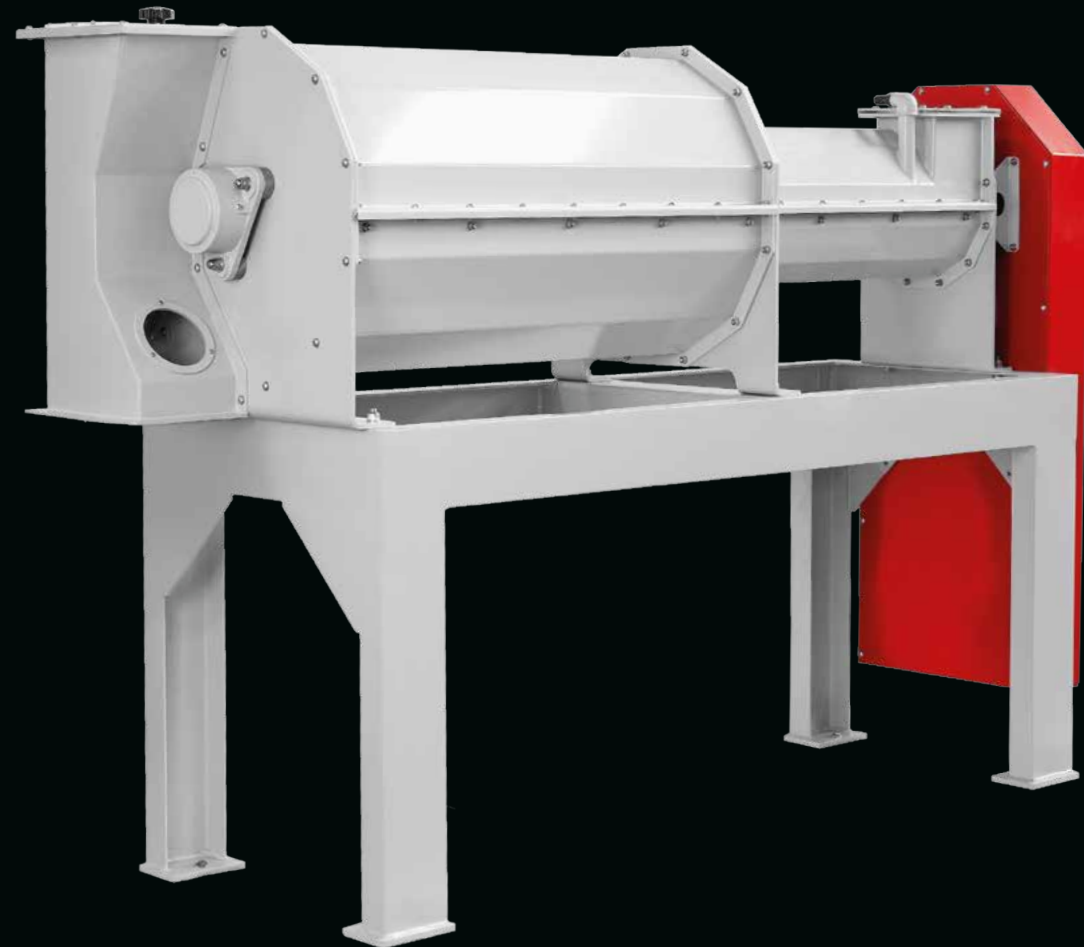


BI-MIX

Intensive Dampener

The intensive dampener type BI-MIX improves the water absorption method making it more rapid and homogeneous, resulting in better wheat tempering and reduction of conditioning time. Machine constituted by a double diameter rotor with adjustable paddles. External frame of polygonal shape made of stainless steel and internally coated with anti-wear material.



Type	Kw	Capacity* T/h	Weight Kg
BI MIX 30-55/180-11	11	10-12	435
BI MIX 30-55/180-15	15	12-20	450
BI MIX 30-55/180-22	22	20-25	490
BI MIX 30-55/240	30-45	25-35	700

* Soft wheat 0,75t/m³
Units = mm